

**CSC Valves
Canada Inc.**

Series FBT6 – Forged Sour Low Temp Ball Valve



Forged three-piece threaded construction, SS trim, 6000 PSI WOG, PEEK seats, blowout-proof stem, and standard locking handle. Body constructed with A350 LF2 or F316 steel for low temperature sour gas service.

NPT ends in accordance with ASME B1.20.1

Rated to 6000 PSI for sizes 1/4-1/2" FP, and 3/4" to 2" RP WOG

NACE MR 0175 / ISO 15156 upon submission of application data

ASME B16.34 Design

API 607 Firesafe

$$Q = \sum_{n=1}^{\infty} AS_n$$



"Quality equates to the sum of Applied Science"

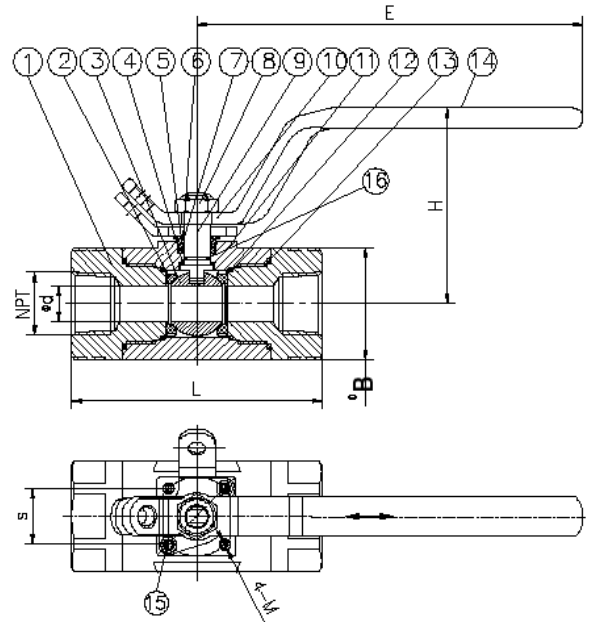


Serving the most rugged applications in the Western Canadian Sedimentary Basin
FBT6 Series – February 2022

CSC Valves Canada Inc.

Series FBT6 – Forged Sour Low Temp Ball Valve

No.	PART NAME	MATERIAL	QTY
1	CAP	ASTM A350 LF2	2
2	SEAT	PEEK	2
3	BALL	ASTM A479 F316	1
4	THRUST WASHER	PEEK	1
5	PACKING	GRAPHITE	1
6	GLAND	SS304	1
7	LOCKHOLE FLANGE	CS	1
8	BEVEL WASHER	SS301	1
9	STEM	ASTM A479 F316	1
10	NUT	SS304	1
11	BODY	ASTM A350 LF2	1
12	O-RING	VITON GLT 90 DUR	2
13	WASHER	GRAPHITE	2
14	HANDLE	WCB	1
15	BOLT	CS	2
16	O-RING	VITON GLT 90 DUR	1



Size		Ød		L			H		E		S		M	ØD		ØB	
in	mm	in	mm	in	mm	mm	in	mm	in	mm	in	mm	mm	in	mm	in	mm
1/2"	15	0.50	12.70	4.37	111.00	+/- 1.4	3.65	92.80	6.49	165.00	1.00	25.40	M5	1.42	36.00	1.81	46
3/4"	20	0.50	12.70	4.37	111.00		3.65	92.80	6.49	165.00	1.16	29.50	M5	1.42	36.00	1.97	50
1"	25	0.75	19.05	5.24	133.00		4.09	104.00	8.07	205.00	1.16	29.50	M5	1.65	42.00	2.46	63
1 1/2"	40	1.25	31.80	6.26	159.00	+/-	6.14	156.00	12.20	310.00	1.39	35.30	M6	1.97	50.00	3.50	89
2"	50	1.50	38.00	7.40	188.00	1.6	6.14	156.00	12.20	310.00	1.95	49.50	M8	2.76	70.00	4.17	106

POLYMER PRESSURE/TEMPERATURE RATINGS

