

***CSC Valves
Canada Inc.***

FLANGED FLOATING BALL VALVES



CSF SERIES

$$Q = \sum_{n=1}^{\infty} AS_n$$

“Quality equates to the sum of Applied Science”



Serving the most rugged applications in the Western Canadian Sedimentary Basin
Brochure CSF Series – February 2022

CSF SERIES

FLANGED FLOATING BALL VALVES

CSC Valves Canada Inc. operates an engineering, research & development facility in Edmonton Alberta. Designs are verified and verifications are validated.



Applicable Industry Codes and Standards Compliance

- API 6D, 598, 607, 6FA
- ASME B16.34, B16.5, B16.10
- CE Certified
- CSA Z245.15
- ISO 15156-03*, 9001
- NACE MR 0175
- MSS-SP-25

*Upon customer submission of application data.

Call toll free regarding your application engineering requirements. 1-888-803-5817



Serving the most rugged applications in the Western Canadian Sedimentary Basin
Brochure CSF Series – February 2022

TABLE OF CONTENTS

The Company & Range Chart.....2

Design Features3

Cross Section (2 Piece Cast).....4

Trim Chart5

Dimension Charts.....6/7

Contact Information8

$$Q = \sum_{n=1}^{\infty} AS_n$$

“Quality equates to the sum of Applied Science”

CSF SERIES

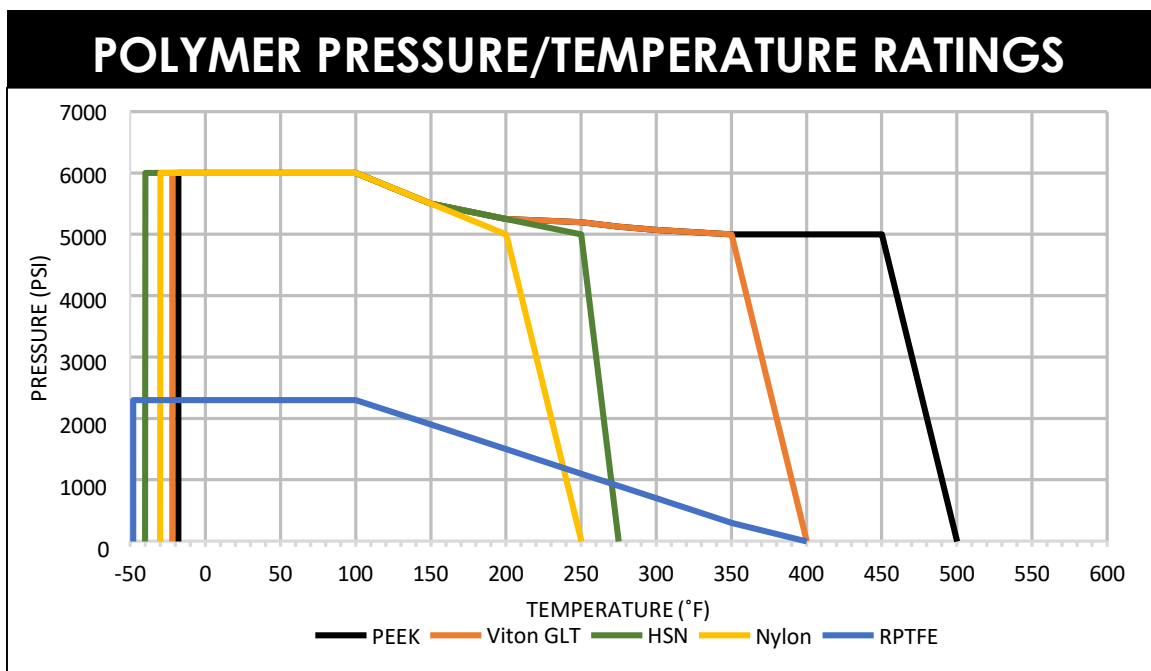
FLANGED FLOATING BALL VALVES

THE COMPANY

CSC Valves Canada Inc. is a Canadian company engaged in the engineering design, manufacture and sale of quality valve products. The firm was formed, recognizing the need for flexibility of valve products given the myriad of applications. Hence our commitment to offering customers **choice** of **components** and design concepts based on **their** application criteria.

RANGE CHART				
SIZE		ASME CLASS		
NPS	DN	150	300	600
2 x 1.5"	50 x 38	◇	◇	◇
2" FP	50	◇	◇	◇
3 x 2"	80 x 50	◇	◇	◇
3" FP	80	◇	◇	◇
4 x 3"	100 x 80	◇	◇	◇
4" FP	100	◇	◇	◇
6 x 4"	150 x 100	◇	◇	◇
6" FP	150	◇	◇	◇

◇ = CSFC (Cast)



DESIGN FEATURES

- Floating ball design helps reduce valve cost and weight.
- All balls & Stems are CNC precision machined from 316
- Two-piece cast construction. Bonnet and body are integrally cast.
- Blowout-proof stem cannot be removed while valve is in service.
- Standard locking wrench. Gear operators and actuation available.
- Standard anti-static device.
- ASME B16.5 flanged end connections.
- Available in full and regular port configurations.
- Multiple seat material options available, 25% filled reinforced PTFE standard.



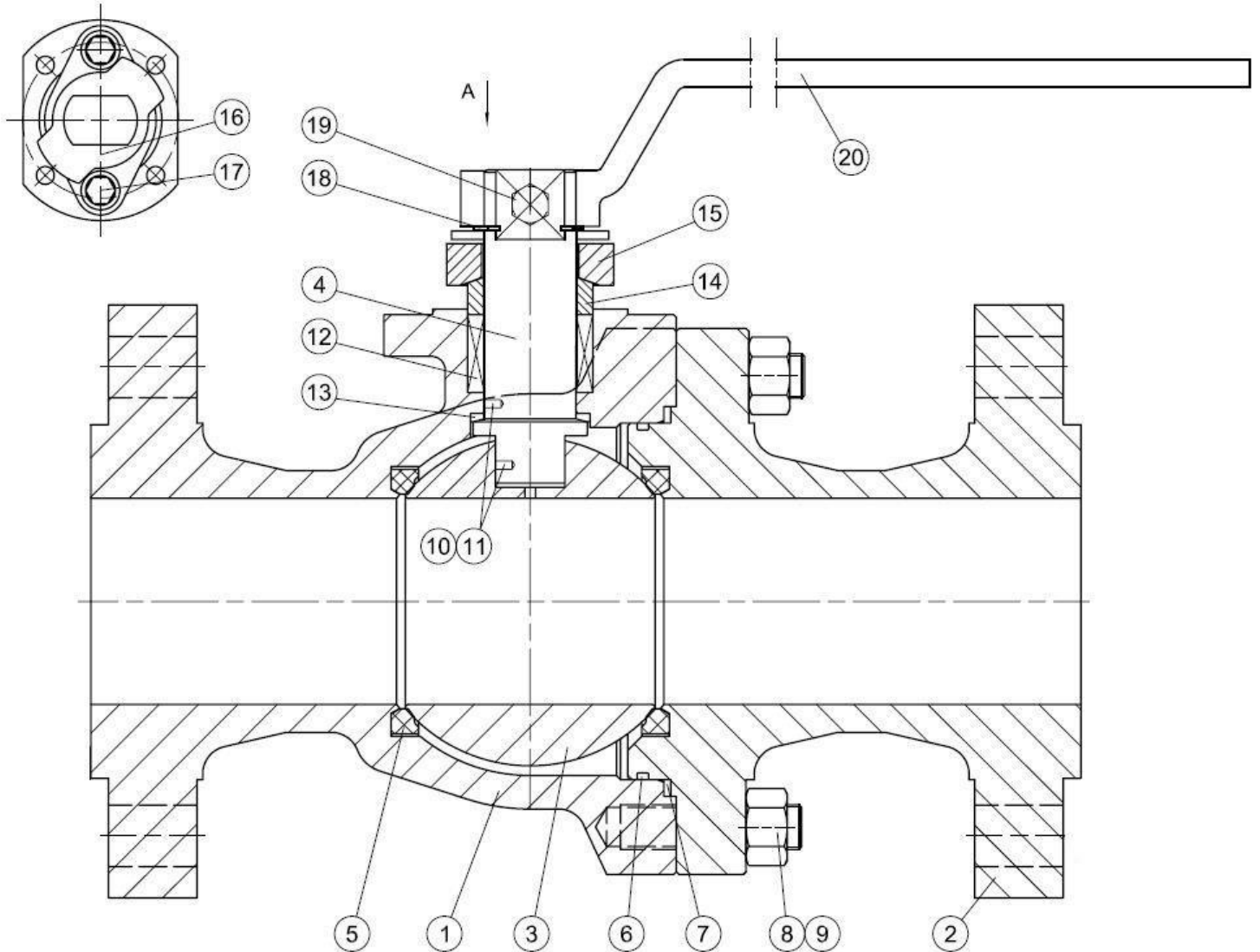
CSF SERIES

FLANGED FLOATING BALL VALVES

CROSS SECTION VIEW

2 PIECE CAST

view A
Top flange per ISO 5211



CSF SERIES

FLANGED FLOATING BALL VALVES

TRIM CHART

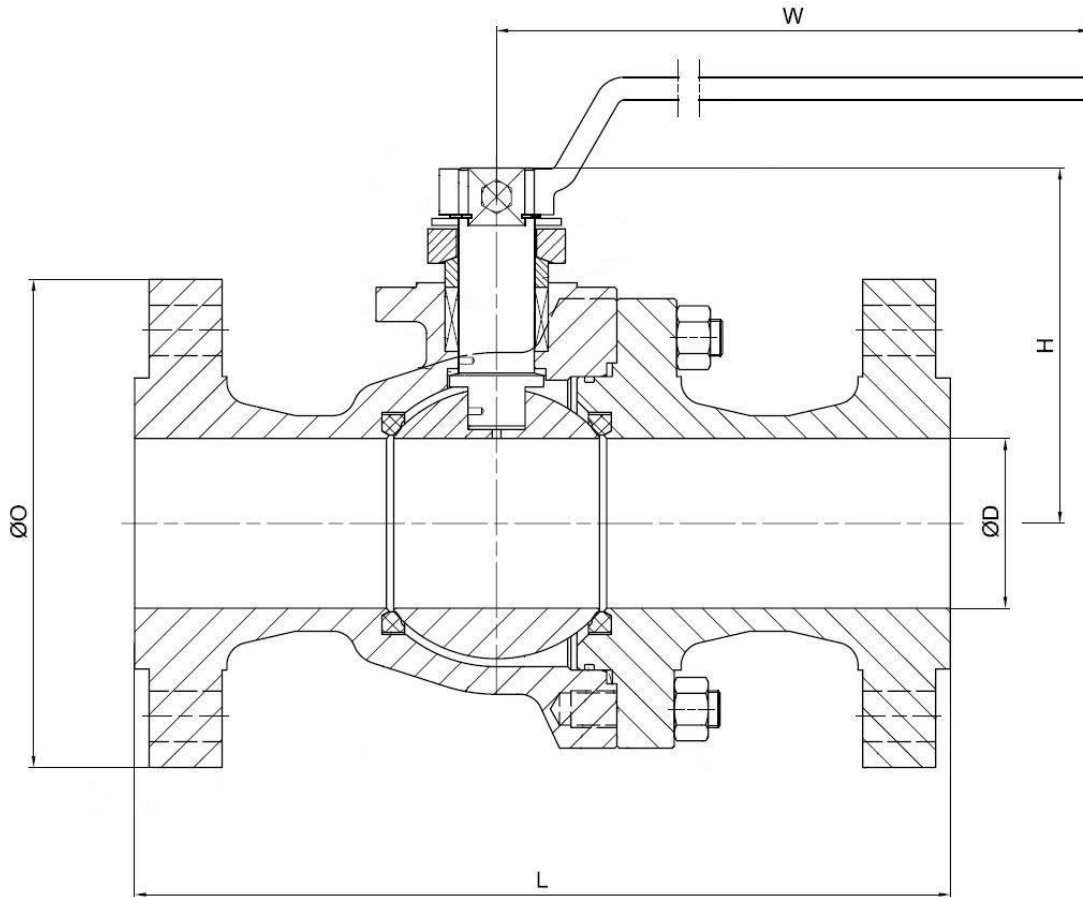
Available Trim for Two-Piece Cast Floating Ball Valves

Materials of Parts	No.	Part Name	Sour	Sour Low Temperature	Full Stainless Steel
	1	Body	ASTM A216 WCB	ASTM A352 LCC	ASTM A351 CF8M
	2	Cap	ASTM A216 WCB	ASTM A352 LCC	ASTM A351 CF8M
	3	Ball	ASTM A105 + ENP	ASTM A182 F316	ASTM A182 F316
	4	Stem	ASTM A105 + ENP	ASTM A182 F316	ASTM A182 F316
	5	Seat	RPTFE	RPTFE	RPTFE
	6	O Ring	HSN	HSN	VITON GLT
	7	Fire Safe Gasket	SS316 + Graphite	SS316 + Graphite	SS316 + Graphite
	8	Stud	ASTM A320 L7M	ASTM A320 L7M	ASTM A193 B8M
	9	Nut	ASTM A194 2HM	ASTM A194 7M	ASTM A194 8M
	10	Anit-Static Spring	SS304	SS304	SS304
	11	Anti-Static Ball	SS304	SS304	SS304
	12	Packing	Graphite	Graphite	Graphite
	13	Thrust Bearing	RPTFE	RPTFE	RPTFE
	14	Gland	SS304	SS304	SS304
	15	Gland Flange	ASTM A216 WCB	ASTM A352 LCC	ASTM A351 CF8M
	16	Stop	SS304	SS304	SS304
	17	Bolt	ASTM A193 B7M	ASTM A193 B7M	ASTM A193 B8M
	18	Snap Ring	Alloy Steel	Alloy Steel	Alloy Steel
	19	Bolt	Carbon Steel	Carbon Steel	Carbon Steel
	20	Handle	Carbon Steel	Carbon Steel	Carbon Steel
Service Conditions	Applicable Media	Water, Oil, Gas			
	Applicable Temp.	-20F to 250F, -29C to 120C	-50F to 250F, -46C to 120C		
Design and Manufacturing		API 6D, API 607, ASME B16.34, CSA Z254.15			
Pressure Test		API 6D, API 598			
Operation		Wrench Locking, Gear Op.			

CSF SERIES

FLANGED FLOATING BALL VALVES

ASME Class 150/300/600 CSFC Full Port Dimension Chart

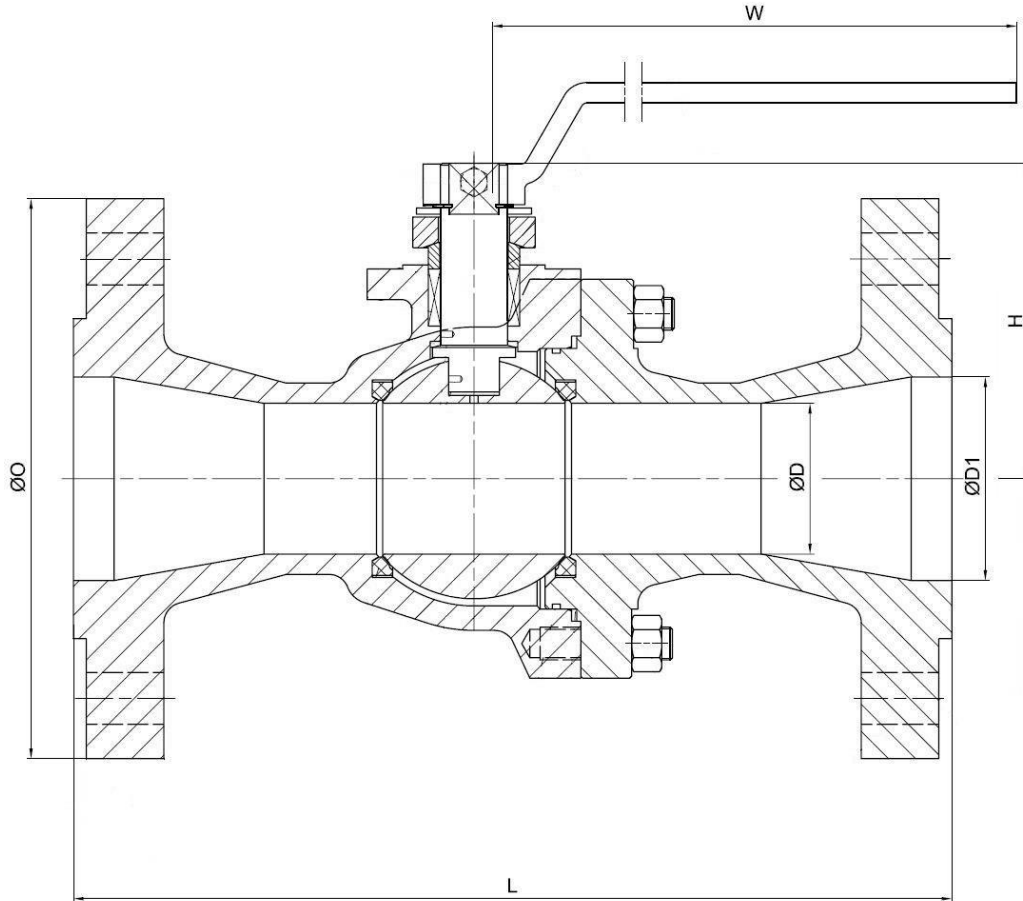


Pressure Rating	Nominal Diameter		L	ØD	ØO	H	W	ISO5211	Operation
Class	NPS	DN	mm	mm	mm	mm	mm		
150	2"	50	178	51	152	115	230	F05	Wrench
	3"	80	203	76	190	155	300	F07	Wrench
	4"	100	229	102	228	180	330	F07	Wrench
	6"	150	394	152	280	240	800	F12	Wrench
300	2"	50	216	51	166	115	230	F05	Wrench
	3"	80	283	76	210	155	300	F07	Wrench
	4"	100	305	102	254	192	330	F10	Wrench
	6"	150	403	152	318	260	800	F12	Wrench
600	2"	50	292	51	166	130	230	F07	Wrench
	3"	80	356	76	210	160	300	F10	Wrench
	4"	100	432	102	274	210	520	F12	Wrench
	6"	150	559	152	355	280	1000	F14	Wrench/Gear

CSF SERIES

FLANGED FLOATING BALL VALVES

ASME Class 150/300/600 CSFC Reg. Port Dimension Chart



Pressure Rating	Nominal Diameter		L	ØD	ØD1	ØO	H	W	ISO5211	Operation	
	Class	NPS									DN
150		2x1.5"	50x38	178	38	51	152	103	230	F05	Wrench
		3x2"	80x50	203	51	76	190	115	300	F07	Wrench
		4x3"	100x80	229	76	102	228	155	330	F07	Wrench
		6x4"	150x100	394	102	152	280	180	800	F12	Wrench
300		2x1.5"	50x38	216	38	51	166	110	230	F05	Wrench
		3x2"	80x50	283	51	76	210	115	300	F07	Wrench
		4x3"	100x80	305	76	102	254	155	330	F10	Wrench
		6x4"	150x100	403	102	152	318	192	800	F12	Wrench
600		2x1.5"	50x38	292	38	51	166	110	230	F07	Wrench
		3x2"	80x50	356	51	76	210	115	300	F10	Wrench
		4x3"	100x80	432	76	102	274	160	520	F12	Wrench
		6x4"	150x100	559	102	152	355	210	1000	F14	Wrench/Gear



***CSC Valves
Canada Inc.***

For Inquiries:

Ph: 1-888-803-5817

Email: sales@cscvalves.com

Engineering/Research & Development Office:

9817-62 Avenue

Edmonton, AB Canada T6E 0E4

Ph: 780-436-3552 Fax: 780-436-3553



$$Q = \sum_{n=1}^{\infty} AS_n$$

“Quality equates to the sum of Applied Science”



Serving the most rugged applications in the Western Canadian Sedimentary Basin
Brochure CSF Series – February 2022