

CSC Valves USA Inc.

Series FBT6 – Forged Sour Service Ball Valve



Forged three-piece seal welded construction, SS trim, 6000 PSI, PEEK seats, blowout-proof stem, and standard locking handle. Body constructed with A105 steel for sour gas service.

NPT ends in accordance with ASME B1.20.1

Rated to 6000 PSI for sizes ¼-½" FP, and ¾" to 2" RP WOG

NACE / 150 15156 – 03 upon submission of application data

ASME B16.34 Design



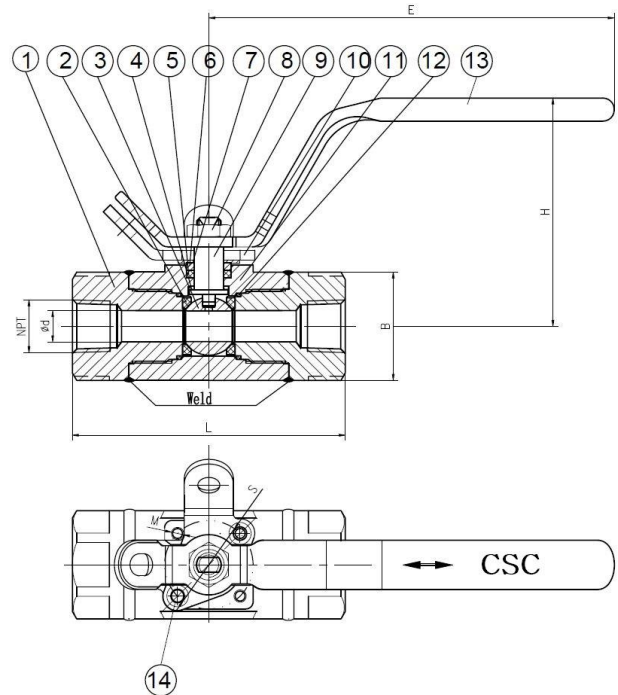
6702 Bourgeois Rd.
Houston TX 77066
832-520-1634



Serving the most rugged applications in the Oil and Gas Industry
Brochure FBT6 Series – April 2015

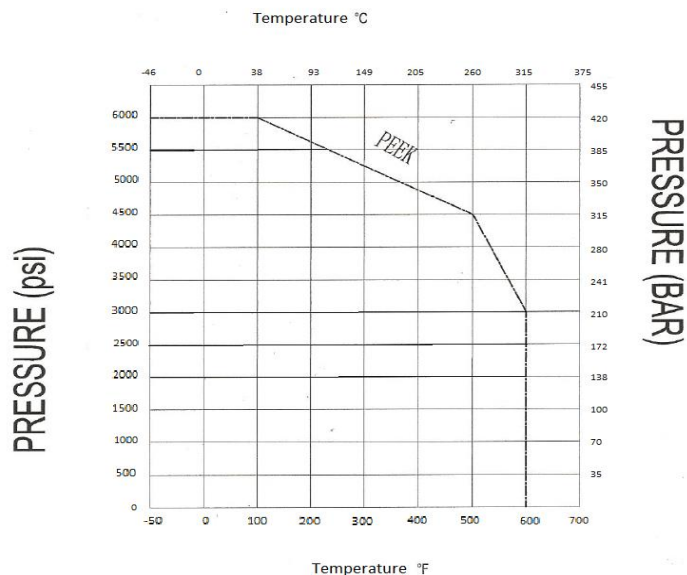
CSC Valves USA Inc.

No.	PART NAME	MATERIAL	QTY
1	CAP	ASTM A105	2
2	SEAT	PEEK	2
3	BALL	F316	1
4	THRUST WASHER	PEEK	1
5	PACKING	RTFE	1
6	GLAND	SS304	1
7	BEVEL WASHER	SS301	1
8	NUT	SS304	1
9	STEM	SS316	1
10	LOCKHOLE FLANGE	CS	1
11	BODY	ASTM A105	1
12	O-RING	VITON	2
13	HANDLE	WCB	1
14	BOLT	CS	2



Size		Ød		L			H		E		S		M	ØB	
in	mm	in	mm	in	mm	mm	in	mm	in	mm	in	mm	mm	in	mm
1/4"	8	0.5	12.7	4.25	111	+/- 1.4	3.66	93	6.5	165	1.42	36	M5	1.73	44
3/8"	10	0.5	12.7	4.25	111		3.66	93	6.5	165	1.42	36	M5	1.73	44
1/2"	15	0.5	12.7	4.25	111		3.66	93	6.5	165	1.42	36	M5	1.73	44
3/4"	20	0.5	12.7	4.25	111		3.66	93	6.5	165	1.65	42	M5	1.89	48
1"	25	0.75	19	5.24	133	+/- 1.6	4.09	104	8	205	1.65	42	M5	2.36	60
1 1/2"	40	1.0	25.4	6.41	163		4.92	125	10	255	1.97	50	M6	3.15	80
2"	50	1.50	38.0	7.40	188		6.14	156	12	310	2.75	70	M8	4.03	102.5

SEAT RATING



Serving the most rugged applications in the Oil and Gas Industry
 Brochure FBT6 Series – April 2015