

**CSC Valves
Canada Inc.**

Series FBT6 – Forged Sour Low Temp Ball Valve



Forged three-piece threaded construction, SS trim, 6000 PSI WOG, PEEK seats, blowout-proof stem, and standard locking handle. Body constructed with A350 LF2 or F316 steel for low temperature sour gas service.

NPT ends in accordance with ASME B1.20.1

Rated to 6000 PSI for sizes 1/4-1/2" FP, and 3/4" to 2" RP WOG

NACE / 150 15156 – 03 upon submission of application data

ASME B16.34 Design



$$Q = \sum_{n=1}^{\infty} AS_n$$

"Quality equates to the sum of Applied Science"

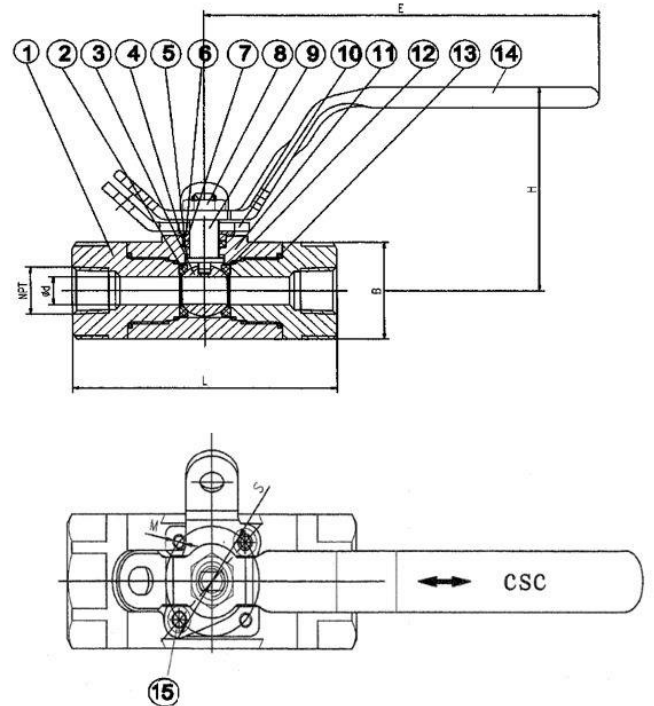


Serving the most rugged applications in the Western Canadian Sedimentary Basin
FBT6 Series – February 2016

CSC Valves Canada Inc.

Series FBT6 – Forged Sour Low Temp Ball Valve

No.	PART NAME	MATERIAL	QTY
1	CAP	ASTM A350 LF2	2
2	SEAT	PEEK	2
3	BALL	F316	1
4	THRUST WASHER	PEEK	1
5	PACKING	PTFE	1
6	GLAND	304SS	1
7	BEVEL WASHER	SS301	1
8	NUT	304SS	1
9	STEM	F316	1
10	LOCKHOLE FLANGE	CS	1
11	BODY	ASTM A350 LF2	1
12	O-RING	HNBR	2
13	WASHER	PTFE	2
14	HANDLE	WCB	1
15	BOLT	CS	2



Size		Ød		L			H		E		S		M	ØB	
in	mm	in	mm	in	mm	mm	in	mm	in	mm	in	mm	mm	in	mm
1/4"	8	0.5	12.7	4.25	111	+ / - 1.4	3.66	93	6.5	165	1.42	36	M5	1.73	44
3/8"	10	0.5	12.7	4.25	111		3.66	93	6.5	165	1.42	36	M5	1.73	44
1/2"	15	0.5	12.7	4.25	111		3.66	93	6.5	165	1.42	36	M5	1.73	44
3/4"	20	0.5	12.7	4.25	111		3.66	93	6.5	165	1.65	42	M5	1.89	48
1"	25	0.75	19	5.24	133	+ / - 1.6	4.09	104	8	205	1.65	42	M5	2.36	60
1 1/2"	40	1.0	25.4	6.41	163		4.92	125	10	255	1.97	50	M6	3.15	80
2"	50	1.50	38.0	7.40	188		6.14	156	12	310	2.75	70	M8	4.03	102.5

SEAT RATING

