

CSC Valves USA Inc.

Series FBT3 – Forged Sour Service Ball Valve



Forged three-piece seal welded construction, SS trim, Delrin seats, blowout-proof stem, and a standard locking handle. Body constructed with A105 for sour gas service.

NPT ends in accordance with ASME B1.20.1

Rated to 3000 PSI for sizes ¼-½" FP, and ¾" to 2" RP WOG

NACE / 150 15156 – 03 upon submission of application data

ASME B16.34 Design



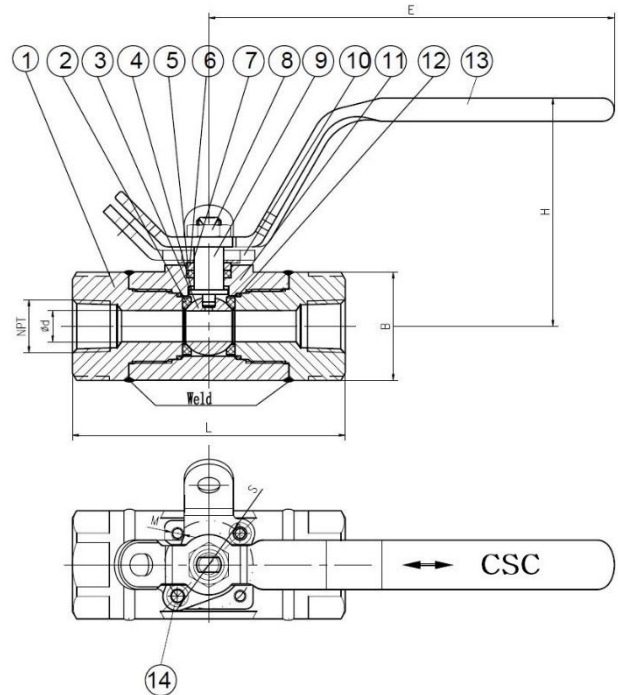
6702 Bourgeois Rd.
Houston TX 77066
832-520-1634



Serving the most rugged applications in the Oil and Gas Industry
Brochure FBT3 Series – April 2015

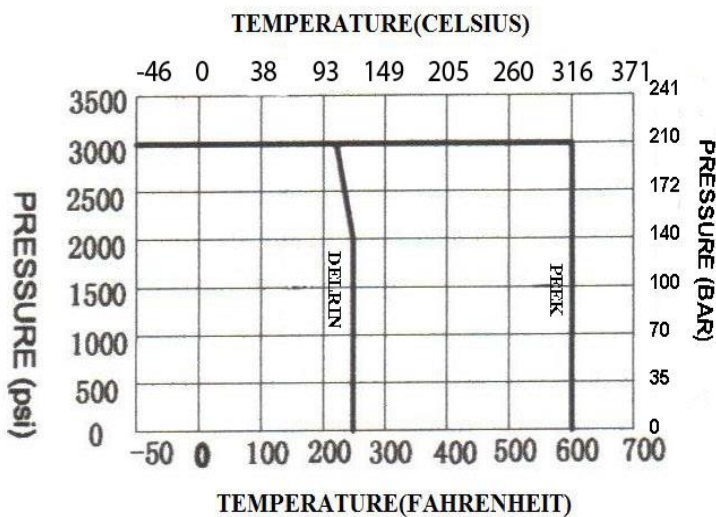
CSC Valves USA Inc.

No.	PART NAME	MATERIAL	QTY
1	CAP	ASTM A105	2
2	SEAT	DELIRIN	2
3	BALL	F316	1
4	THRUST WASHER	DELIRIN	1
5	PACKING	RTFE	1
6	GLAND	SS304	1
7	BEVEL WASHER	SS301	1
8	NUT	SS304	1
9	STEM	SS316	1
10	LOCKHOLE FLANGE	CS	1
11	BODY	ASTM A105	1
12	O-RING	VITON	2
13	HANDLE	WCB	1
14	BOLT	CS	2



Size		ød		L			H		E		S		M	øB	
in	mm	in	mm	in	mm	mm	in	mm	in	mm	in	mm	mm	in	mm
¼"	8	0.5	12.7	3.86	98.0	+/- 1.4	3.66	93	6.49	165	1.00	25.4	M5	1.52	38.5
⅜"	10	0.5	12.7	3.86	98.0		3.66	93	6.49	165	1.00	25.4	M5	1.52	38.5
½"	15	0.5	12.7	3.86	98.0		3.66	93	6.49	165	1.00	25.4	M5	1.52	38.5
¾"	20	0.69	17.5	4.25	108.0		3.98	101	8.07	205	1.16	29.5	M6	1.89	48.0
1"	25	0.88	22.3	4.25	108.0	+/- 1.6	4.17	106	8.07	205	1.16	29.5	M6	2.15	54.5
1½"	40	1.25	31.8	5.24	133.0		5.9	150	10.04	255	1.39	35.3	M6	2.95	75.0
2"	50	1.50	38.0	6.26	159.0		6.10	155	12.2	310	1.39	35.3	M6	3.43	87.0

SEAT RATING



Serving the most rugged applications in the Oil and Gas Industry
 Brochure FBT3 Series – April 2015