

**CSC Valves
Canada Inc.**

Series FBT3 – Forged Sour Low Temp Ball Valve



NPT ends in accordance with ASME B1.20.1

Rated to 3000 PSI for sizes 1/4-1/2" FP, and 3/4" to 2" RP WOG

NACE / 150 15156 – 03 upon submission of application data

ASME B16.34 Design

Forged three-piece threaded construction, SS trim, Delrin seats, blowout-proof stem, standard locking handle, 3000 PSI WOG. Body constructed with A350 LF2 or F316 steel for low temperature sour gas service.



$$Q = \sum_{n=1}^{\infty} AS_n$$

"Quality equates to the sum of Applied Science"

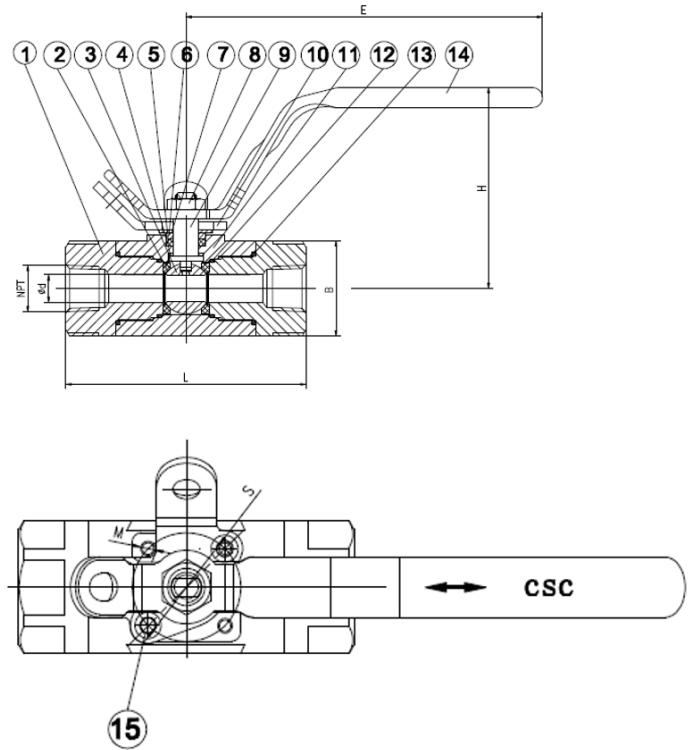


Serving the most rugged applications in the Western Canadian Sedimentary Basin
FBT3 Series – February 2016

CSC Valves Canada Inc.

Series FBT3 – Forged Sour Low Temp Ball Valve

No.	PART NAME	MATERIAL	QTY
1	CAP	ASTM A350 LF2	2
2	SEAT	DELTRIN	2
3	BALL	F316	1
4	THRUST WASHER	DELTRIN	1
5	PACKING	RTFE	1
6	GLAND	SS304	1
7	BEVEL WASHER	SS301	1
8	NUT	SS304	1
9	STEM	SS316	1
10	LOCKHOLE FLANGE	CS	1
11	BODY	ASTM A350 LF2	1
12	O-RING	HNBR	2
13	WASHER	PTFE	2
14	HANDLE	WCB	1
15	BOLT	SS304	2



Size		Ød		L			H		E		S		M	ØB	
in	mm	in	mm	in	mm	mm	in	mm	in	mm	in	mm	mm	in	mm
¼"	8	0.5	12.7	3.86	98.0	+/- 1.4	3.66	93	6.49	165	1.00	25.4	M5	1.52	38.5
⅜"	10	0.5	12.7	3.86	98.0		3.66	93	6.49	165	1.00	25.4	M5	1.52	38.5
½"	15	0.5	12.7	3.86	98.0		3.66	93	6.49	165	1.00	25.4	M5	1.52	38.5
¾"	20	0.69	17.5	4.25	108.0		3.98	101	8.07	205	1.16	29.5	M6	1.89	48.0
1"	25	0.88	22.3	4.25	108.0	+/- 1.6	4.17	106	8.07	205	1.16	29.5	M6	2.15	54.5
1½"	40	1.25	31.8	5.24	133.0		5.9	150	10.04	255	1.39	35.3	M6	2.95	75.0
2"	50	1.50	38.0	6.26	159.0		6.10	155	12.2	310	1.39	35.3	M6	3.43	87.0

SEAT RATING

