

CSC Valves USA Inc.

Series CSCW2 – Cast Threaded Ball Valve



Cast two-piece seal welded construction, 2000 PSI WOG, RPTFE seats, SS trim, blowout-proof stem, and standard locking handle.

NPT ends in accordance with
ASME B1.20.1

Rated to 2000 PSI for 3" FP WOG

NACE / 150 15156 – 03 upon
submission of application data



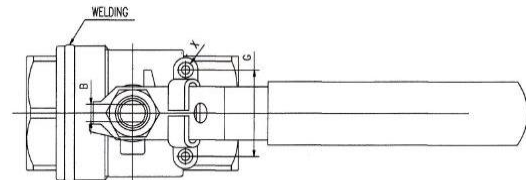
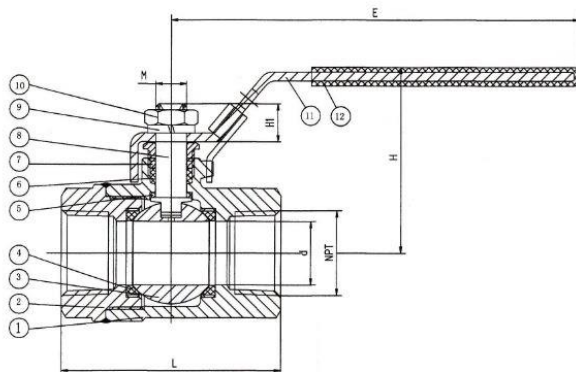
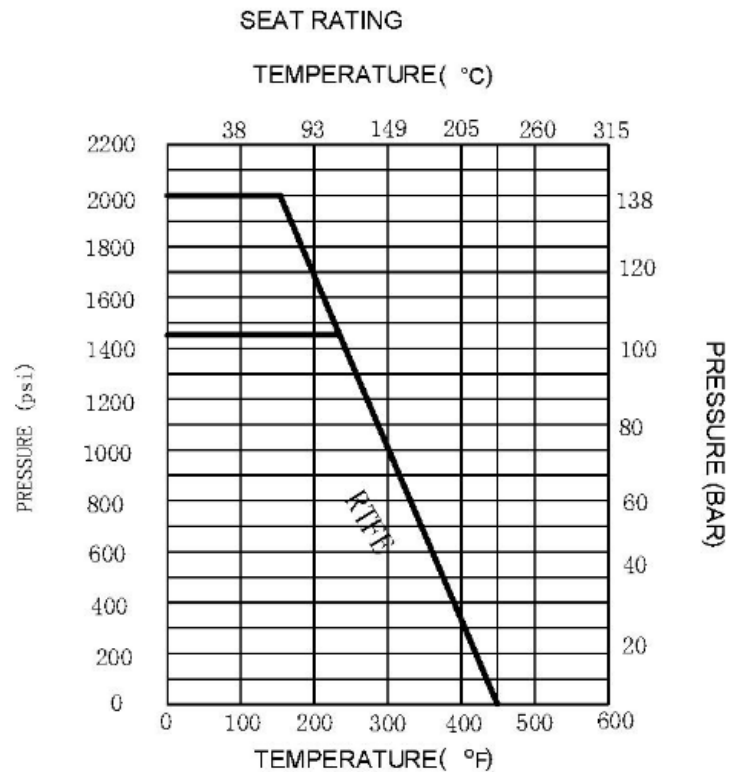
6702 Bourgeois Rd.
Houston TX 77066
832-520-1634



Serving the most rugged applications in the Oil and Gas Industry
Brochure CSCW2 Series – April 2015

CSC Valves USA Inc.

No.	PART NAME	MATERIAL	QTY
1	BODY	ASTM A216 WCB	1
2	CAP	ASTM A216 WCB	1
3	BALL	ASTM A182 F316	1
4	SEAT	RPTFE	2
5	THRUST WASHER	PTFE	1
6	STEM	ASTM A276 316	1
7	O-RING	VITON-GLT	2
8	WASHER	DELRIN	1
9	LOCKABLE PLATE	ASTM A240 201	1
10	JUMP RING	CS	1
11	HANDLE	ASTM A216 WCB	1
12	BOLT	CS	1



Size		d		H		E		L		B		M
in	mm	in	mm	in	mm	in	mm	in	mm	in	mm	mm
¼"	8	0.42	10.8	2.00	51	4.13	105	2.08	53	0.19	5	8
⅜"	10	0.49	12.5	2.00	51	4.13	105	2.08	53	0.19	5	8
½"	15	0.59	15	2.56	65	4.72	120	2.48	63	0.19	5	8
¾"	20	0.78	20	2.68	68	4.72	120	2.83	72	0.23	6	10
1"	25	0.98	25	2.87	73	6.10	155	3.38	86	0.27	7	12
1¼"	32	1.25	32	3.18	81	6.10	155	3.93	100	0.27	7	12
1½"	40	1.49	38	3.58	91	7.48	190	4.25	108	0.39	10	16
2"	50	1.96	50	3.94	100	7.48	190	4.84	123	0.39	10	16
2½"	65	2.52	64	5.98	152	11.81	300	7.28	185	0.59	15	22
3"	80	2.99	76	5.37	136.5	15.75	400	6.89	175	0.59	15	22



Serving the most rugged applications in the Oil and Gas Industry
 Brochure CSCW2 Series – April 2015