

**CSC Valves
Canada Inc.**

Series CBR3 – Bar Stock Locking Ball Valve



A105 bar stock body with reinforced PTFE seats, SS trim, blowout-proof stem, standard locking handle, 2000 PSI WOG.

NPT ends in accordance with ASME B1.20.1

Rated to 2000 PSI for sizes 1/4" to 1/2" FP, and 3/4" to 2" RP WOG

NACE / 150 15156 – 03 upon submission of application data

ASME B16.34 Design



$$Q = \sum_{n=1}^{\infty} AS_n$$

"Quality equates to the sum of Applied Science"

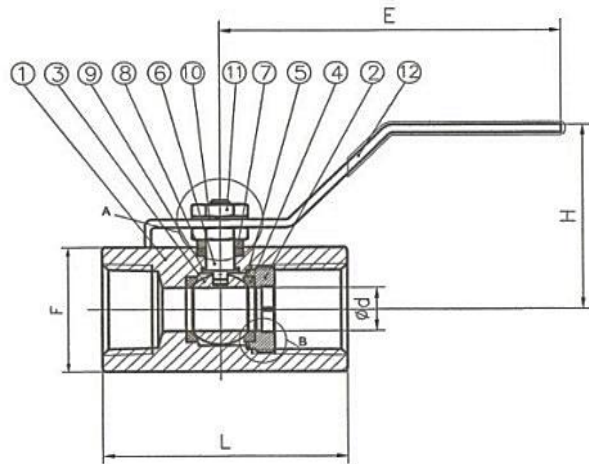


Serving the most rugged applications in the Western Canadian Sedimentary Basin
Brochure CBR3 Series – February 2016

CSC Valves Canada Inc.

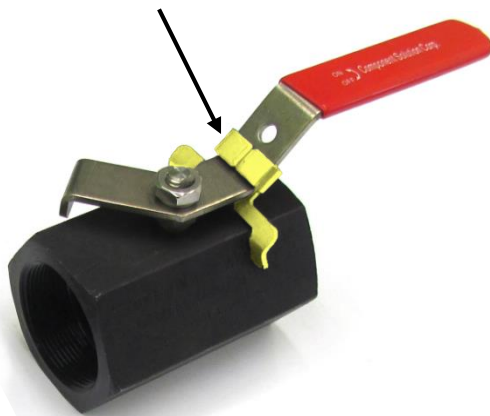
Series CBR3 – Bar Stock Locking Ball Valve

NO.	PART NAME	MATERIAL	QTY
01	BODY	A105	1
02	SEAT RETAINER	A105	1
03	BALL	316	1
04	SEAT	RTFE	2
05	GASKET	RTFE	1
06	STEM	316	1
07	GLAND	304	1
08	PACKING	RTFE	1
09	THRUST WASHER	RTFE	1
10	SPRING WASHER	304	1
11	NUT	304	1
12	HANDLE	201	1



Size		Ød		L		H		E		W	
in	mm	in	mm	in	mm	in	mm	in	mm	in	mm
¼"	8	0.2	5	1.7	43.2	1.25	31.8	2.62	66.7	0.85	21.6
3/8"	10	0.28	7	1.86	47.2	1.33	33.8	2.62	66.7	0.93	23.6
½"	15	0.36	9.2	2.46	62.5	2.18	55.5	4.65	118	1.24	31.25
¾"	20	0.49	12.5	2.75	69.9	2.42	61.5	4.65	118	1.37	34.95
1"	25	0.63	16	3.38	85.9	2.57	65.3	4.72	120	1.69	42.95
1 ¼"	32	0.79	20	3.69	93.7	2.9	73.7	5.75	146	1.84	46.85
1 ½"	40	0.97	24.5	4	101.6	3.09	78.7	5.75	146	1.99	50.8
2"	50	1.26	32	4.5	114.3	3.54	90	6	152.5	2.24	57.15

Locking Device on Handle



Pressure vs. Temperature

