

# CSC Valves USA Inc.

## Series CBR3 / Bar Stock Locking Ball Valve



A105 bar stock body with RTFE seats, ss trim, blowout-proof stem, and standard locking handle.

NPT ends in accordance with ASME B1.20.1

Rated to 2000 PSI for sizes ¼" to 2" RP WOG

NACE / ISO 15156-03 upon submission of application data

ASME B16.34 Design



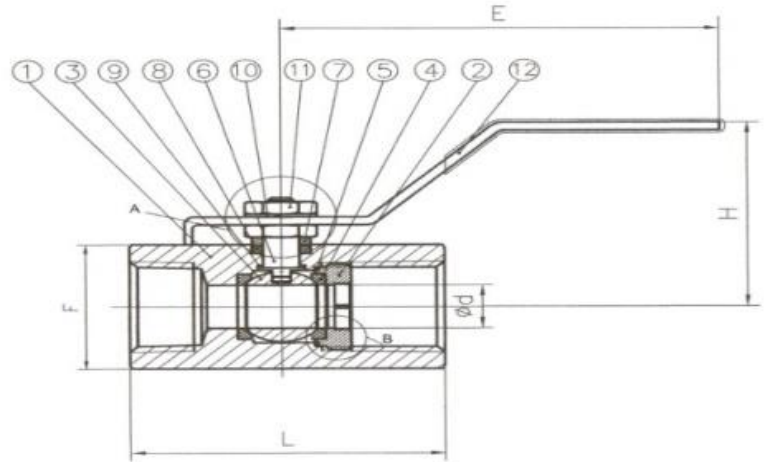
9817 62 Ave. N.W.  
Edmonton, AB  
[sgallivan@smgallivan.com](mailto:sgallivan@smgallivan.com)  
[www.csc-valves.com](http://www.csc-valves.com)  
Toll Free 1-855-636-5703  
Or 1-403-807-5745



Serving the most rugged applications in the Oil & Gas Industry  
CBR3 Series – Rev. 2 – December 2014

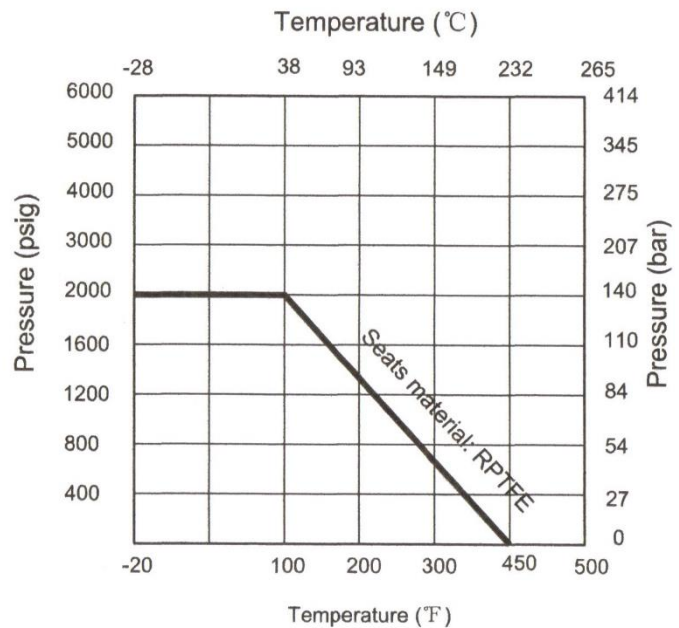
# CSC Valves USA Inc.

NO.	PART NAME	MATERIAL	QTY
01	BODY	A105	1
02	SEAT RETAINER	A105	1
03	BALL	316	1
04	SEAT	RTFE	2
05	GASKET	RTFE	1
06	STEM	316	1
07	GLAND	304	1
08	PACKING	RTFE	1
09	THRUST WASHER	RTFE	1
10	SPRING WASHER	304	1
11	NUT	304	1
12	HANDLE	201	1



Size		Ød		L		H		E		W	
in	mm	in	mm	in	mm	in	mm	in	mm	in	mm
1/4"	6	0.2	5	1.7	43.2	1.25	31.8	2.62	66.7	0.85	21.6
3/8"	10	0.28	7	1.86	47.2	1.33	33.8	2.62	66.7	0.93	23.6
1/2"	15	0.36	9.2	2.46	62.5	2.18	55.5	4.65	118	1.24	31.25
3/4"	20	0.49	12.5	2.75	69.9	2.42	61.5	4.65	118	1.37	34.95
1"	25	0.63	16	3.38	85.9	2.57	65.3	4.72	120	1.69	42.95
1 1/4"	32	0.79	20	3.69	93.7	2.9	73.7	5.75	146	1.84	46.85
1 1/2"	40	0.97	24.5	4	101.6	3.09	78.7	5.75	146	1.99	50.8
2"	50	1.26	32	4.5	114.3	3.54	90	6	152.5	2.24	57.15

## Pressure vs. Temperature



Exclusive MFG REP:



Serving the most rugged applications in the Oil & Gas Industry  
CBR3 Series – Rev. 2 – December 2014