

# CSC Valves USA Inc.

## Series SBF3 / Stainless Steel Valves



**Stainless steel A351 CF8M two-piece seal welded valve design. RTFE seats, a blowout-proof stem, and standard locking handle.**

**NPT ends in accordance with ASME B1.20.1**

**Rated to 2000 PSI for sizes ¼" to 2" FP WOG**

**Rated to 1500 PSI for sizes 2 ½" and 3" FP WOG**

**NACE / ISO 15156-03**

**ASME B16.34 Design\***



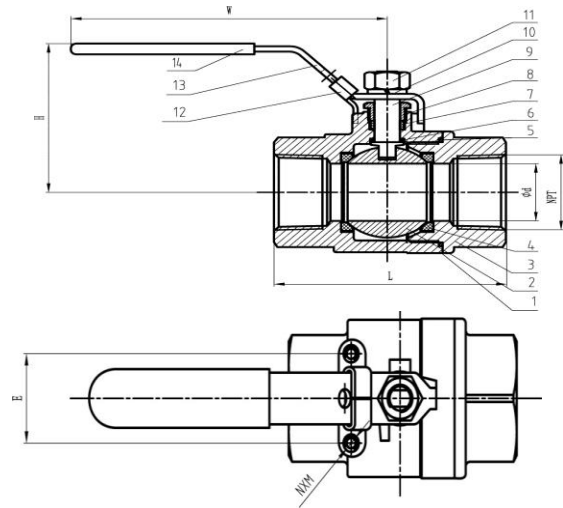
6702- Bourgeois Rd.  
Houston Tx. 77066  
Ph# 832-520-1634

\*3" FP size is covered under B31.3



Serving the most rugged applications in the Oil & Gas Industry  
SBF3 Series – Rev. 2 – December 2014

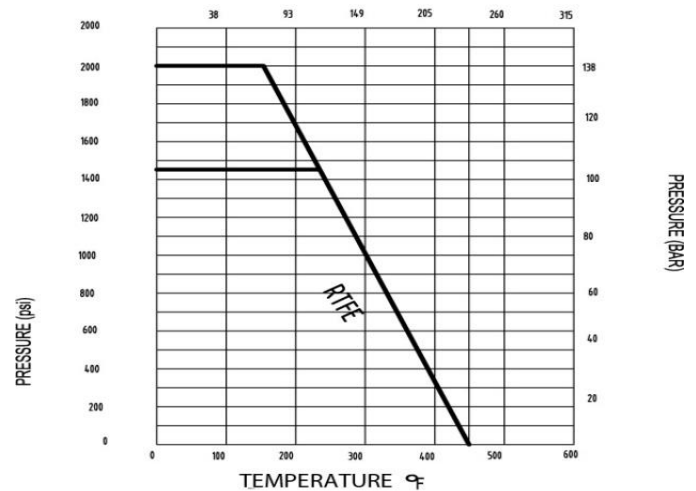
# CSC Valves USA Inc.



Size		Ød		L		H		E		W		NxM
in	mm	in	mm	in	mm	in	mm	in	mm	in	mm	mm
¼"	6	0.42	10.8	2.36	60	1.89	48	1.12	28.5	4.13	105	10#-24
3/8"	10	0.49	12.5	2.36	60	1.89	48	1.12	28.5	4.13	105	10#-24
½"	15	0.59	15	2.95	75	2.28	58	1.12	28.5	4.6	117	10#-24
¾"	20	0.78	20	3.15	80	2.36	60	1.37	35	5.51	140	10#-24
1"	25	1	25.4	3.54	90	3.03	77	1.37	35	6.3	160	10#-24
1 ¼"	32	1.26	32	4.33	110	3.11	79	1.49	38	6.3	160	10#-24
1 ½"	40	1.5	38	4.72	120	3.62	92	1.49	38	7.68	195	¼-20
2"	50	2	50.8	5.51	140	4.13	105	1.49	38	7.68	195	¼-20
2 ½"	65	2.5	64	7.28	185	5.27	134	2.17	55	9.84	250	5/16-18
3"	80	3	76	8.07	205	5.67	144	2.17	55	9.84	250	5/16-18

SEAT RATING  
TEMPERATURE °C

NO.	PART NAME	MATERIAL	QTY
01	BODY	ASTM A351/CF8M	1
02	BALL	ASTM A182/F316	1
03	CAP	ASTM A351/CF8M	1
04	SEAT	RTFE	2
05	JOINT GASKET	GRAPHITE+304	1
06	THRUST WASHER	RTFE	1
07	PACKING	GRAPHITE	1
08	GLAND	ASTM A276/316	1
09	STEM	ASTM A276/316	1
10	SPRING WASHER	304ss	1
11	NUT	ASTM A194 Gr.8	1
12	LOCKING DEVICE	ASTM A240/201	1
13	HANDLE	ASTM A240/201	1
14	HANDLE COVER	PVC	1



Exclusive MFG Rep:



Serving the most rugged applications in the Oil & Gas Industry  
SBF3 Series – Rev. 2 – December 2014